



All India Institute of Medical Sciences Jodhpur

Admn/Prop/66/2022-AIIMS.JDH

Dated: 23rd December 2022

Subject: Purchase of Hybrid Brachytherapy Applicator (Geneva Applicator) for the Department of Radiation Oncology at AIIMS, Jodhpur on proprietary basis - **Inviting comments thereon.**

The Institute is in the purchase of Hybrid Brachytherapy Applicator (Geneva Applicator) for the Department of Radiation Oncology at AIIMS, Jodhpur from M/s Elekta Limited, Cornerstone, London Road, Crawley, West Sussex RH10 9BL, UK on proprietary basis. The proposal submitted by M/s Elekta Limited, UK and PAC certification by user are attached.

The above document are being uploaded for open information to submit objection, comments, if any from any manufacturer regarding proprietary nature of the equipment within 21days of issue giving reference Admn/Prop/66/2022-AIIMS.JDH. The comments should be received by office of Deputy Director (Admin), Medical College at AIIMS, Jodhpur on 13th January 2023 upto 03:00 PM failing which it will be presumed that any other vendor is having no comment to offer and case will be decided on merits.

Yours faithfully,

Deputy Director (Admin)

Enclosed: Related documents enclosed.



All India Institute of Medical Sciences Jodhpur



10th AUG, 2022

TO WHOM SO EVER IT MAY CONCERN

This is to certify that the following items are the proprietary items of Elekta and are compatible with Elekta High Dose Rate Brachytherapy System installed at your esteemed institute.

S. NO.	Article No.	NAME OF ITEM	SPECIFICATION
1	GENEVA	Geneva configuration of the Universal Gynecological applicator set	The Geneva Applicator Set is MR-safe and designed for treatment of the cervical cancer according to the 'Fletcher' approach either intracavitary or interstitial brachytherapy. Geneva is easy to assemble without additional tools, stable geometry offers reproducible dosimetry and easier applicator modelling, has the spreading capability for wider reach, fits the majority of the female anatomies by the broad range of ovoids sizes and intrauterine tubes.

Thanking you,

Yours Sincerely
For ELEKTA SOLUTIONS AB

Director Sales Brachytherapy solutions.

Authorised Signatory

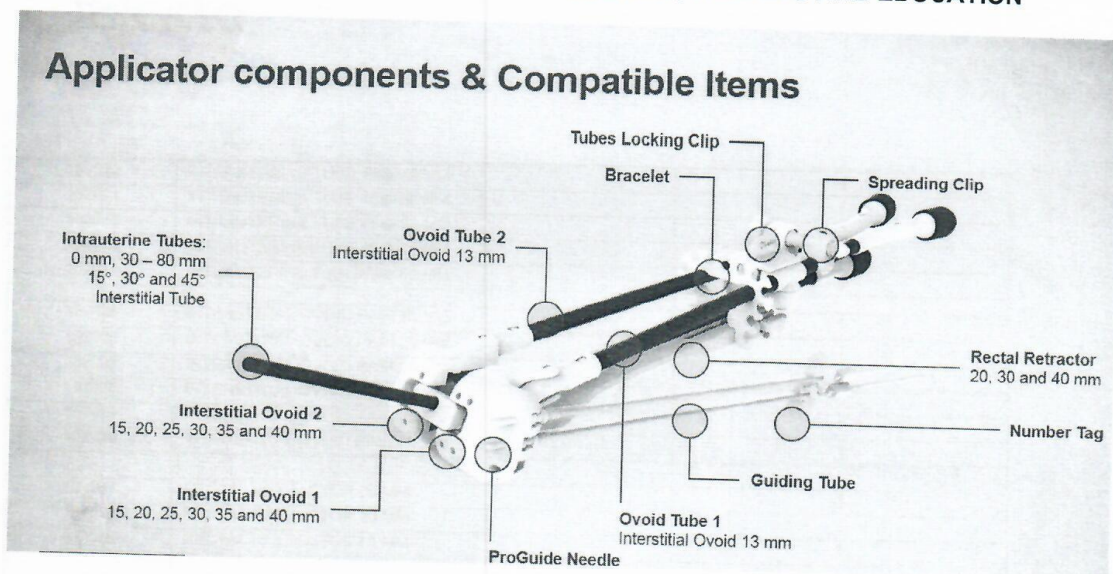
Noted & Agreed
[Signature]

Elekta Solutions AB | Box 7593 | SE-103 93 Stockholm | Sweden
Tel: +46 8 587 254 00 | Fax: +46 8 587 255 00 | www.elekta.com | Reg No. 559157-5286

Right to be forgotten and Basic Personal Data



**GENEVA APPLICATOR
APPLICATOR ITEMS, OPTIONS, ACCESSORIES, TRAINING AND EDUCATION**



Order form – Geneva Applicator, consumables, options and training.

Product	Description	Quantity
152001	OVOID TUBE 1	1
152002	OVOID TUBE 2	1
152003	OVOID TUBE 1 - INTERSTITIAL OVOID TUBE 13MM	1
152004	OVOID TUBE 2 - INTERSTITIAL OVOID TUBE 13MM	1
152005	INTRAUTERINE TUBE 0 MM	1
152006	INTERSTITIAL TUBE 15	1
152007	INTRAUTERINE TUBE 15 30 MM	1
152008	INTRAUTERINE TUBE 15 40 MM	1
152009	INTRAUTERINE TUBE 15 50 MM	1
152010	INTRAUTERINE TUBE 15 60 MM	1
152011	INTRAUTERINE TUBE 15 70 MM	1
152012	INTRAUTERINE TUBE 15 80 MM	1
152013	INTRAUTERINE TUBE 30 30 MM	1
152014	INTRAUTERINE TUBE 30 40 MM	1
152015	INTRAUTERINE TUBE 30 50 MM	1
152016	INTRAUTERINE TUBE 30 60 MM	1
152017	INTRAUTERINE TUBE 30 70 MM	1
152018	INTRAUTERINE TUBE 30 80 MM	1
152019	INTRAUTERINE TUBE 45 30 MM	1

Shanti Desai
Spai

P. M. K.



All India Institute of Medical Sciences Jodhpur

Elekta

152020	INTRAUTERINE TUBE 45 40 MM	1
152021	INTRAUTERINE TUBE 45 50 MM	1
152022	INTRAUTERINE TUBE 45 60 MM	1
152023	INTRAUTERINE TUBE 45 70 MM	1
152024	INTRAUTERINE TUBE 45 80 MM	1
152025	INTERSTITIAL OVOID PAIR 15 MM	1
152026	INTERSTITIAL OVOID PAIR 20 MM	1
152027	INTERSTITIAL OVOID PAIR 25 MM	1
152028	INTERSTITIAL OVOID PAIR 30 MM	1
152029	INTERSTITIAL OVOID PAIR 35 MM	1
152030	INTERSTITIAL OVOID PAIR 40 MM	1
152037	RECTAL RETRACTOR 20 MM	1
152038	RECTAL RETRACTOR 30 MM	1
152039	RECTAL RETRACTOR 40 MM	1
152032	TUBES LOCKING CLIP	2
152040	SPREADING CLIP	2
189040	CLEANING BRUSH SET, RND 2.5X250	1
189043	CLEANING BRUSH SET, RND 6.5X100	1
189714	INSERTION TOOL	1
189932	CT/MR APPLICATOR CLAMP WITH BASEPLATE	1
101015	CT-MR STERILISATION BOX	1
110230	PROGUIDE 6F R 294mm (5X)	1
110231	PROGUIDE 6F S 294mm (5x)	1
129001	GUIDING TUBES INTERSTITIAL (LUNAR) OVOID (5X1)	1
129002	GUIDING TUBES VAGINAL CAP/INTERSTITIAL TUBE (5X1)	1
129003	BRACELET	2
129004	NUMBER TAGS	1
101012	STERILISATION CAPS PACK OF 50	1
110268	SET OF 5 OBTURATORS FOR NEEDLES 6F, L=294MM	1
110598	SMIT SLEEVE L=100MM (3 PCS.)	1
110599	SMIT SLEEVE L=40MM CT/MR (3)	1
189676	SMIT SLEEVE 20MM BOX 10PCS	1
189677	SMIT SLEEVE 40MM BOX 10 PCS	1
189679	SMIT SLEEVE 60MM BOX 10 PCS	1
189681	SMIT SLEEVE 70MM BOX 10 PCS	1
189682	SMIT SLEEVE 80MM BOX 10 PCS	1
189683	SMIT SLEEVE 100MM BOX 10 PC	1
200727	BRACHYTHERAPY CLINICAL CONSULTANT	2
200757	APPLICATOR PRETREATMENT	3
200758	COMBINED APPLICATOR PRETREATMENT + CLINICAL SUPPORT TRAINING	3??
111650	CT/MR GYN TRANSFER TUBE SET Flexitron	No need

Shanki Devi

Spex

Pr



All India Institute of Medical Sciences Jodhpur



137180	CTMR TRANSFER TUBE ADAPTER FOR SPCR Flexitron	No need
137094	TRANSFER TUBE SET 6F FLX 1-10 Flexitron	No need
137095	TRANSFER TUBE SET 6F FLX 11-20 Flexitron	No need
137043	SPCR Adapter Set for 6F Catheter Transfer Tubes Flexitron	No need
111006	GYN.TRANSFER TUBE SET CT-MR NO 1, 2, 3.microSelectron	1
111031	TRANSFERTUBE SET FOR 6F FLEX NO 1-9 microSelectron	Already we have
111041	TRANSFERTUBE SET FOR 6F FLEX NO 10-18 microSelectron	Already we have Need 11-30???
110400	CT/MR GYN X-RAY CATHETER SET FOR CT/MR GYN APPLICATORS (Flexitron)	No need
101065	X-RAY CATHETERSET FOR CT/MR GYN APPLICATORS microSelectron	1
089089	X-RAY CATHETERSET, 1-9	1
089090	X-RAY CATHETERSET 10-18	1
110287	CT MARKER SET 294mm YELLOW (6x)	1
189039	CT MARKER SET, 294 MM YELLOW (18x)	1
189693	CT MARKER SET, 294 MM 19 T/M 30	1
110290	MR LINE-MARKER SET	1
170233	ONCENTRA IPSA FIRST FLOATING LICENSE	Already we have licence
170283	ONCENTRA BRACHY APPLICATOR LIBRARY FLOAT (FIRST LICENSE)	??
170332	ONCENTRA BRACHY HIPO FLOATING LIC	Already we have licence
170360	Oncentra Brachy Implant Modeling	1
170780	APPLICATOR LIBRARY FILES	1

Blank document
Shiv

Im



All India Institute of Medical Sciences Jodhpur

Advanced Gynecological Applicator Venezia™ Sales order form

Customer:

Address:

Part number	Description	Quantity
126001	Interstitial Lunar Ovoid Tube 22mm 60° Right	1
126002	Interstitial Lunar Ovoid Tube 22mm 60° Left	1
126003	Interstitial lunar ovoid tube 26 mm 60° right	1
126004	Interstitial lunar ovoid tube 26 mm 60° left	1
126005	Interstitial lunar ovoid tube 30 mm 60° right	1
126006	Interstitial lunar ovoid tube 30 mm 60° left	1
126007	Vaginal cap 22 mm right	1
126008	Vaginal cap 22 mm left	1
126009	Vaginal cap 26 mm right	1
126010	Vaginal cap 26 mm left	1
126011	Vaginal cap 30 mm right	1
126012	Vaginal cap 30 mm left	1
126013	Intrauterine tube 0 mm	1
126014	Intrauterine tube 30 mm 30°	1
126015	Intrauterine tube 40 mm 30°	1
126016	Intrauterine tube 50 mm 30°	1
126017	Intrauterine tube 60 mm 30°	1
126018	Intrauterine tube 70 mm 30°	1
126019	Intrauterine tube 30 mm 15°	1
126020	Intrauterine tube 40 mm 15°	1
126021	Intrauterine tube 50 mm 15°	1
126022	Intrauterine tube 60 mm 15°	1
126023	Intrauterine tube 70 mm 15°	1
126024	Fixation element	1
126025	Fixation clip	

Aravind Kumar
Dr. Aravind Kumar

Am





All India Institute of Medical Sciences Jodhpur

Part number	Description	Quantity
126026	Perineal template dorsal 0°	1
126027	Perineal template dorsal 12°	1
126028	Perineal template ventral 0°	1
126029	Bracelet for guiding tubes 5 x 1	1
126030	Number tag for guiding tubes 5 x 1	1
126031	Guiding tubes for interstitial lunar ovoid 5 x 1	1
126032	Guiding tubes for vaginal cap 5 x 1	1
126033	Perineal bar	1
101012	Sterilizing caps CT/MR	1
110268	ProGuide Obturator Bulk set, 6F x 294mm (1x5)	1
110230	ProGuide Round Needle Set, 6F x 294mm	1
189714	Insertion tool	1
189.040	Cleaning Brush ø 2.5 mm x 250 mm (Set of 3)	1
189.043	Cleaning Brush ø 6.5 mm x 100 mm (Set of 3)	1
137.287	Lock Inserts Set for 6F Plastic Needles	1
137.290	Needle Lock Tool	1
189607	ProGuide Round Needle Set, 6F x 240mm ³	1
189608	ProGuide Round Needle Set, 6F x 200mm ³	1
189623	ProGuide Round Needle Bulk Set, 6F x 200mm ³	1
189622	ProGuide Round Needle Bulk Set, 6F x 240mm ³	1
189607	ProGuide Round Needle Set, 6F x 240mm ³	1
189608	ProGuide Round Needle Set, 6F x 200mm ³	1
189601	ProGuide Sharp Needle Set, 6F x 240mm ³	1
189602	ProGuide Sharp Needle Set, 6F x 200mm ³	1
189617	ProGuide Sharp Needle Bulk Set, 6F x 200mm ³	1
189616	ProGuide Sharp Needle Bulk Set, 6F x 240mm ³	1
189601	ProGuide Sharp Needle Set, 6F x 240mm ³	1
189.628	ProGuide obturator bulk set, 6F x 240 mm (12 pcs)	1

Handwritten signatures and initials in blue ink.





All India Institute of Medical Sciences Jodhpur

189.629	ProGuide obturator bulk set, 6F x 200 mm (12 pcs)	1
170780	APPLICATOR LIBRARY Files	1
	ADVANCED GYN APPLICATOR	1
aggregate	Basic accessory set consists of: 1x50 Sterilizing caps CT/MR 2x5 obturators 1x insertion tool 5x1 bracelet for guiding tubes 5x1 number tags,	1

Handwritten signature

Handwritten signature

